

MX

maxim

nexus<sup>TM</sup>  
COLLECTION



www.nexuscollection.com

the Stylish  
maxim 



The well-proportionate build,  
casting a spell on your space

Maxim takes a serious approach to ensure individual comfort, support and personal expression. This slim and slender line from the elegant harmony of inspiring shape and translucent material opens up a new perspective of your space by casting a spell of modern design.



# ALL OF THE ABOVE

We wanted to find one word to describe Maxim, but couldn't choose between fantastic, beautiful, elegant, reliable, comfortable, ergonomic, desirable, sophisticated, etc. So we settled for "All of the Above". Having just one of these chairs in the office will cause endless of jealousy and arguments.



# THE PERFECT COLOURS MATCH

Maxim has 5 distinct mesh colours and countless seat finishes that represent the person you are. The harmonious

finish details of Maxim will generate a charisma that eventually captivates your first impression.



# CREATIVE EXPANSION



The stylish Maxim conference series fit well in the space where important matters are decided and valuable guests are served.

# THE FEELING OF FREEDOM THAT YOUR WHOLE BODY DESERVE

Maxim has the highly sophisticated adjustability and functionalities that promise a great sense of freedom

that your body could enjoy – from the moment of synchronizing yourself with Maxim.



Inner Seat



PU moulded foam is attached to the bottom polypropylene cover without the usage of commercial adhesive, bolts and nuts.

Under Seat



Bottom polypropylene cover which made of recycled material is unconventionally secured to the seat that eases the exchange and replacement of the seat upholstery.

Armrest



Moulded nylon fixed armrest with polyurethane armpad in black finishing.

Backrest



Nylon backrest frame with adjustable lumbar support in black finishing.

5 Pronged Base



Nylon high base that comes with 60mm polyurethane castors.

### Adjustable Headrest

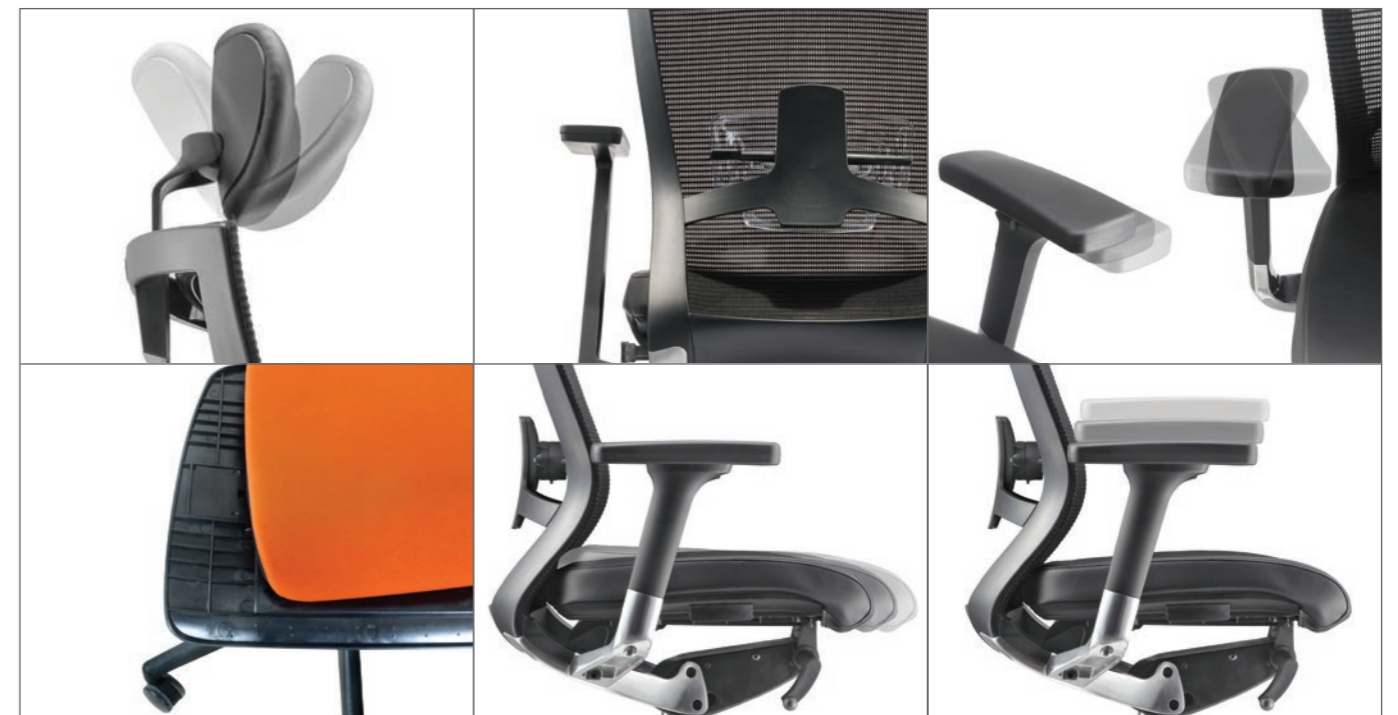
This optional feature provide height and angle adjustments that support either your head or neck area depending on your desired angle.

### Lumbar Support

The exquisite translucent design provide effective support with its 2 way adjustments of height and depth.

### 3D Adjustable Armrest

The 3 dimensional adjustment of height, pivot and depth armrest with PU padded armrest provide another sensitive touch on the Maxim.



### Replaceable Seat Cushion

Replaceable seat cushion from the seating plate panel which allows ease of exchange and replace of seat cushion.

### Adjustable Seat Depth & Slope

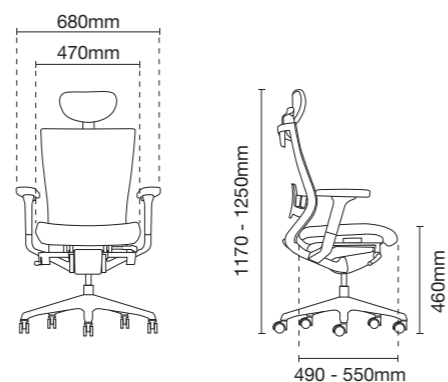
Using a simple lever under the seat, user can easily adjust the depth as well as the slope of the seating to accommodate his sitting preference and comfort.



**MX8110L - 18D58**

Presidential high back

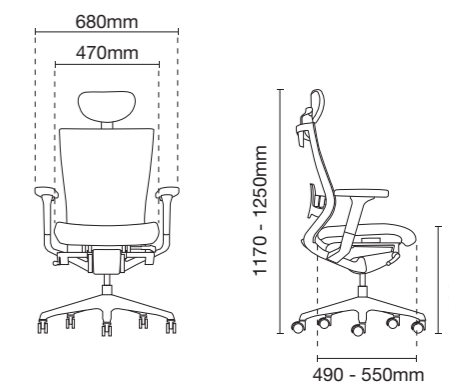
- AB18 aluminium high base
- D58 3D aluminium adjustable armrest
- Rotary synchronized mechanism (multi-locking)
- LS1 adjustable lumbar support
- PU / leather applicable to headrest and seat only



**MX8110N - 18D58**

Presidential high back

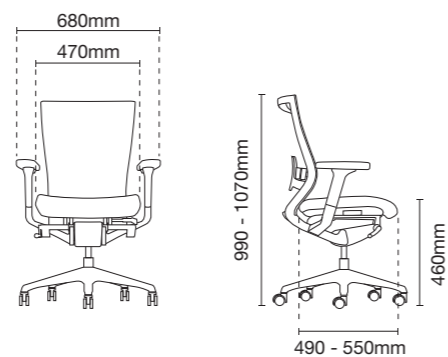
- AB18 aluminium high base
- D58 3D aluminium adjustable armrest
- Rotary synchronized mechanism (multi-locking)
- LS1 adjustable lumbar support
- Fabric applicable to headrest and seat only



**MX8111L - 18D58**

Presidential medium back

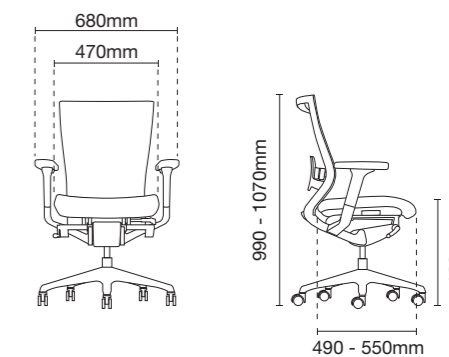
- AB18 aluminium high base
- D58 3D aluminium adjustable armrest
- Rotary synchronized mechanism (multi-locking)
- LS1 adjustable lumbar support
- PU / leather applicable to seat only



**MX8111N - 18D58**

Presidential medium back

- AB18 aluminium high base
- D58 3D aluminium adjustable armrest
- Rotary synchronized mechanism (multi-locking)
- LS1 adjustable lumbar support
- Fabric applicable to seat only

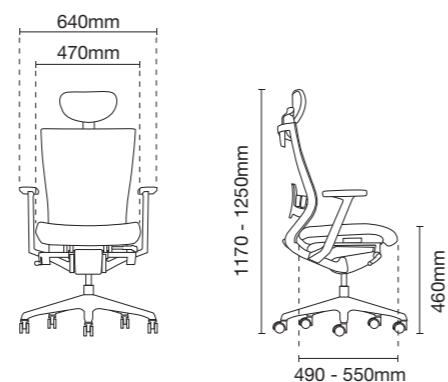




**MX8110N - 20A68**

Presidential high back

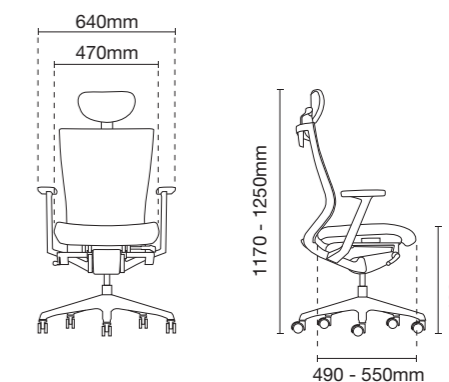
- NB20 nylon high base
- A68 fixed nylon armrest with PU pad
- Rotary synchronized mechanism (multi-locking)
- LS1 adjustable lumbar support
- PU / leather applicable to headrest and seat only



**MX8110NLT - 20A68**

Presidential high back

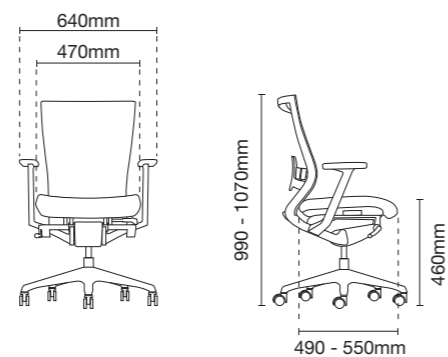
- NB20 nylon high base
- A68 fixed nylon armrest with PU pad
- Rotary synchronized mechanism (multi-locking)
- Fabric applicable to headrest and seat only



**MX8111N - 20A68**

Presidential medium back

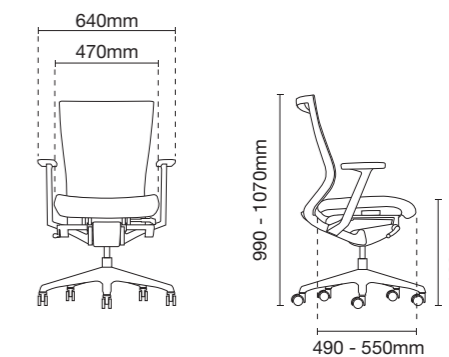
- NB20 nylon high base
- A68 fixed nylon armrest with PU pad
- Rotary synchronized mechanism (multi-locking)
- LS1 adjustable lumbar support
- PU / leather applicable to seat only



**MX8111NLT - 20A68**

Presidential medium back

- NB20 nylon high base
- A68 fixed nylon armrest with PU pad
- Rotary synchronized mechanism (multi-locking)
- Fabric applicable to seat only



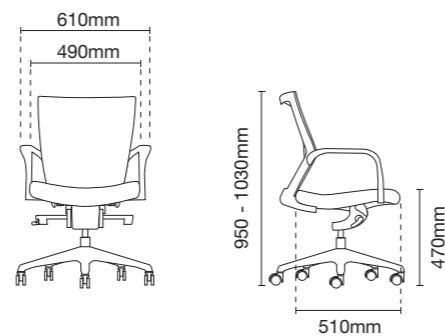




**MX8112L - 20A69**

Executive low back

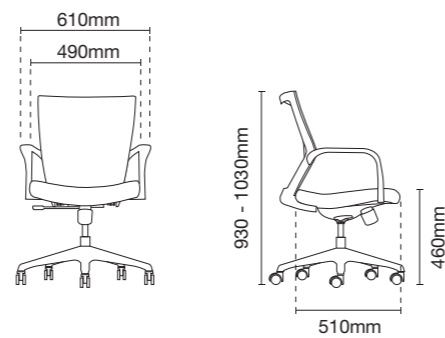
- NB20 nylon high base
- A69 fixed armrest
- MH106 rotary synchronized mechanism (multi-locking)
- PU / leather applicable to seat only



**MX8112N - 20A69**

Executive low back

- NB20 nylon high base
- A69 fixed armrest
- MH100 metal spring mechanism (1 locking)
- Fabric applicable to seat only



**Leather Series**  
**MX8113L - 88CA69**

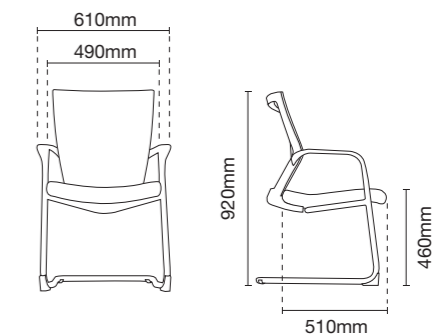


**Fabric Series**  
**MX8113N - 88EA69**



Visitor / Conference chair with arm

- 88C chrome cantilever base
- 88E epoxy cantilever base
- A69 fixed armrest
- Fabric / PU / leather applicable to seat only



**Leather Series**  
**MX8113L - 90CA69**

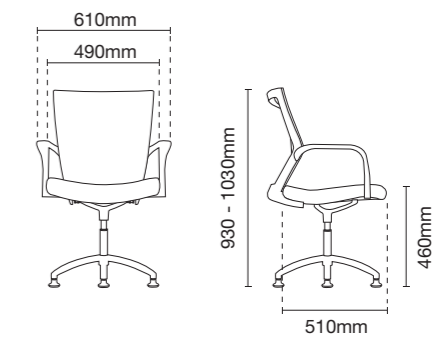


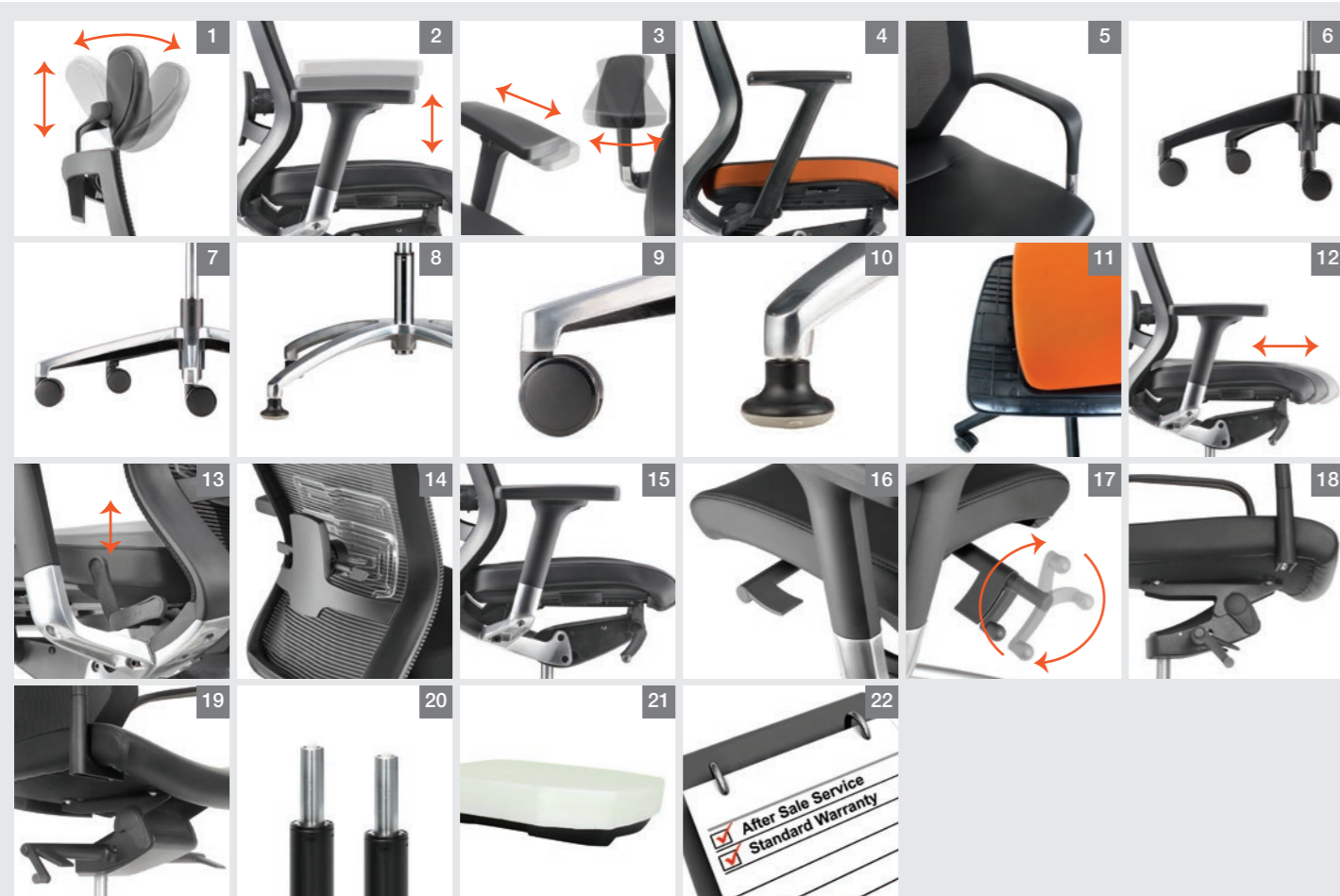
**Fabric Series**  
**MX8113N - 90CA69**



Visitor / Conference chair with arm

- 90C 4 pronged aluminium base with stud
- A69 fixed armrest
- Fabric / PU / leather applicable to seat only





#### Adjustable Headrest

The two-pivoted headrest allows precise adjustments of the angle and the height, giving comfort and support to neck and head at any seating position. (Pic 1)

#### Adjustable Armrest with Polyurethane Armpad

Adjustable armrest with polyurethane armpad that allow top slider to rotate in multi-angle to enhance support with best comfort. (Pic 2, 3)

#### Fixed Armrest

Moulded nylon armrest in black finish. (Pic 4, 5)

#### 5 Pronged Base

5 pronged base in either nylon or die-cast polished aluminium finish, generates by highly sophisticated ambience to provide strong stability. (Pic 6, 7)

#### 4 Pronged Base

4 pronged base in die-cast polished aluminium finish, generates by highly sophisticated ambience to provide strong stability. (Pic 8)

#### Polyurethane Castors or Stud

Both the 60mm polyurethane dual-wheel castors and studs are designed for smooth gliding and also reduce floor scratches. (Pic 9, 10)

#### Replaceable Seat Cushion

Replaceable seat cushion from the seating plate panel which allows ease of exchange and replace of seat cushion. (Pic 11)

#### Adjustable Seat Depth & Slope

Using a simple lever under the seat, user can easily adjust the depth as well as the slope of the seating to accommodate his sitting preference and comfort. (Pic 12, 13)

#### Translucent Lumbar Support

Artfully designed moulded polypropylene lumbar support that promotes ergonomic comfort. (Pic 14)

#### Rotary Synchronized Mechanism

Multi-locking mechanism that come with seat height adjustment and revolving tension control function. (Pic 15, 16, 17)

#### Rotary Synchronized Knee Tilt Mechanism

Multi-locking mechanism that come with seat height adjustment and revolving tension control function. (Pic 18, 19)

#### Height Adjustable Pneumatic Cylinder

Imported heavy duty pneumatic cylinder designed with safety and durability features, allows for height adjustment of the chair to suit each users physique. (Pic 20)

#### Polyurethane Moulded Foam

High density polyurethane moulded foam come with fire retardant feature, gives the seat flexibility to conform user seating posture, provides great support and best comfort even for long seating hours. The black finish seat cover below is designed for greater protection to the foam, quality upholstery and user safety. (Pic 21)