

NXX

intouch

nexusTM
COLLECTION



www.nexuscollection.com



In Touch
with Reality



The Grammy Awards for Branding



Deutsche
Akkreditierungsstelle
D-ZM-18590-01-00



Sure, it may look serious on the outside but, with one sit you'll feel what it really is.

Underneath this sleek figure is a design that provides exceptional comfort and ergonomic support in any given environments.



There is more to Intouch than you might think.



A CHAIR FOR EVERYWHERE

With the number of options available on Intouch, you'll be able to style your chairs for countless applications. From the conference room to the corner office to the reception area, Intouch thrive in any environment.



Intouch offers a sleek yet simple lumbar system, plus a host of other practical features. All said, Intouch is a design-based ergonomic solution that gives users control of their own comfort and well-being.



Inner Seat



PU moulded foam is attached to the bottom polypropylene cover.

Under Seat



Bottom polypropylene cover which made of recycled material is secured to the seat.

Armrest



Nylon adjustable armrest with nylon armpad to enhance support with best comfort.

Backrest



Nylon backrest frame with adjustable lumbar support in black finishing.

5 Pronged Base



Nylon base that comes with matching 50mm nylon castors.

Adjustable Armrest

Height adjustable armrest that firmly support elbows and eliminate fatigue due to long hours of sitting.

Lumbar Support

Slides up or down for custom support that can effectively disperses pressure to the back.



Mechanism

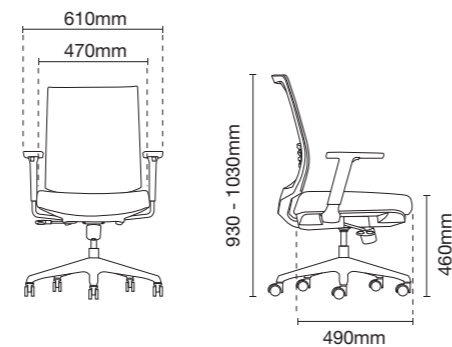
Metal synchronized mechanism with 3 lockings system allows separate tilting of the backrest and seat in 3 different angles to ease your movement for different postures.



IT8312N - 14D34

Executive low back

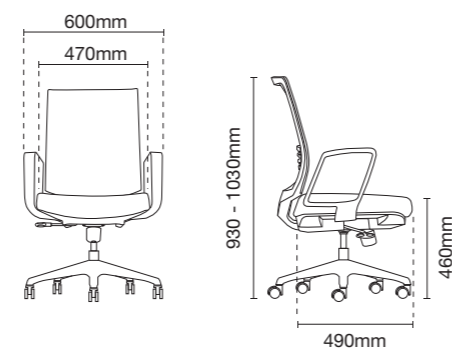
- AB14 aluminium base
- D34 adjustable nylon armrest with nylon pad
- MH012 metal synchronized mechanism (3 lockings)



IT8312N - 24A66

Executive low back

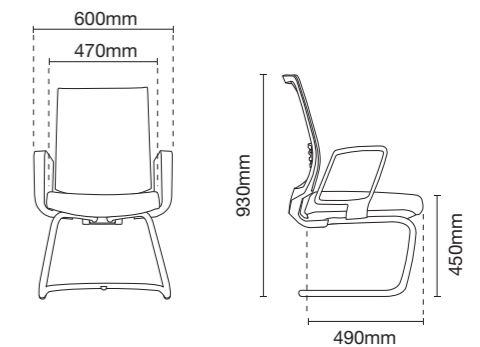
- NB24 nylon base
- A66 fixed armrest
- MH012 metal synchronized mechanism (3 lockings)



IT8313N - 93EA66

Visitor / Conference chair with arm

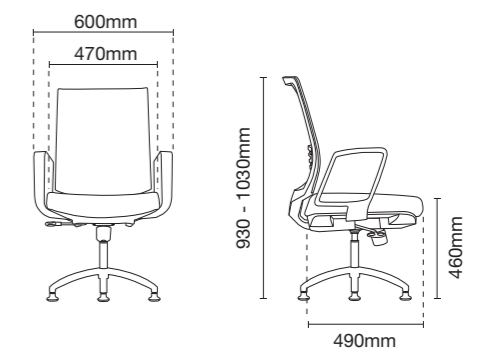
- 93E epoxy cantilever base
- A66 fixed armrest



IT8313N - 90CA66

Visitor / Conference chair with arm

- 90C 4 pronged aluminium base with stud
- A66 fixed armrest
- MH012 metal synchronized mechanism (3 lockings)





Nylon Adjustable Armrest

Nylon adjustable armrest with nylon armpad to enhance support with best comfort (Pic 1)

Fixed Armrest

Moulded polypropylene armrest in black finish. (Pic 2)

5 Pronged Base

5 pronged base in either nylon or die-cast polished aluminium finish, generates by highly sophisticated ambience to provide strong stability. (Pic 3, 4)

4 Pronged Base

4 pronged base in die-cast polished aluminium finish, generates by highly sophisticated ambience to provide strong stability. (Pic 5)

Polyurethane Castors or Stud

Both the 50mm polyurethane dual-wheel castors and studs are designed for smooth gliding and also reduce floor scratches. (Pic 6, 7)

Tilting Mechanism

Metal synchronized mechanism with 3 lockings system that come with weight adjustable tension knob. (Pic 8, 9, 10)

Lumbar Support

Artfully designed horizontal polypropylene lumbar support with up-down motion to the supporting point or desired position. (Pic 11)

Height Adjustable Pneumatic Cylinder

Imported heavy duty pneumatic cylinder designed with safety and durability features, allows for height adjustment of the chair to suit each users physique. (Pic 12)

Polyurethane Moulded Foam

High density polyurethane moulded foam come with fire retardant feature, gives the seat flexibility to conform user seating posture, provides great support and best comfort even for long seating hours. The black finish seat cover below is designed for greater protection to the foam, quality upholstery and user safety. (Pic 13)