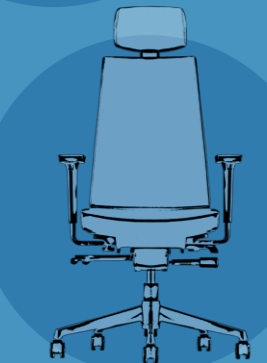


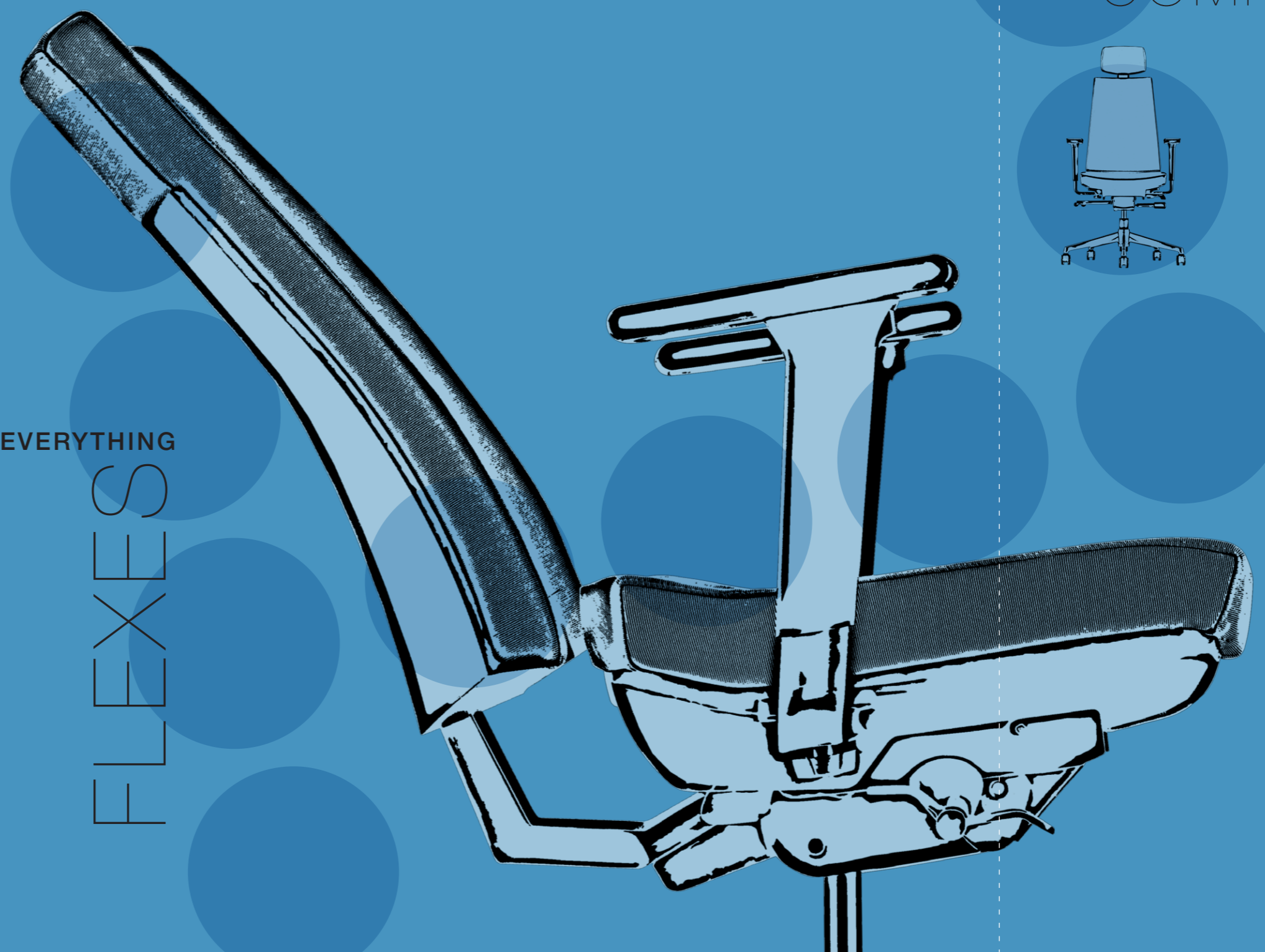
NX

clover

AUTO
COMFORT



EVERYTHING
FLEXES



nexusTM
COLLECTION



www.nexuscollection.com



Comfortable Collaboration



There is no such thing as quick meeting. Thus squirming, fatigue, and loss of focus are unavoidable. Working with others requires a completely different set of postures, and therefore a completely different kind of chair. One that helps keep you focused and comfortable in collaborative settings.



EVERYTHING FLEXES

Every part of Clover was designed to flex and adjust to your body. The backrest's top flexing edge lets you comfortably rest your arm on top of the chair. The flexing backrest encourages you to move and shift, allowing you to sit accordance to your body weight as well as height. And the flexing back contours to support any posture your body needs at any given moment.



AUTOMATIC COMFORT

The Clover chair offers one manual adjustment, which is the seat height. The rest is taken care of for you. The self-weight adjustment mechanism naturally puts you in best position of comfort right from the start. When you first sit on Clover, it senses your center of gravity and adjusts to the position that will put the least amount of stress in your body, while still keeping you properly oriented and supported. When you move or shift posture, Clover does the same, allowing you to enjoy the chair in comfort.



clover

SOPHISTICATED SIMPLICITY

Clover is a hardworking task chair designed to handle long hours of serious sitting. With fully upholstered back and PU padded armrest, Clover brings an element of sophistication to any workspace.



Consistent Support

That nice flex you feel when you lean against the Clover chair's backrest is the what we wanted for you when we designed this chair.

Different than typical chair, CLOVER offer flexors that move with your back for consistent, dynamic support.



Inner Seat



PU moulded foam is attached to the bottom polypropylene cover.

Under Seat



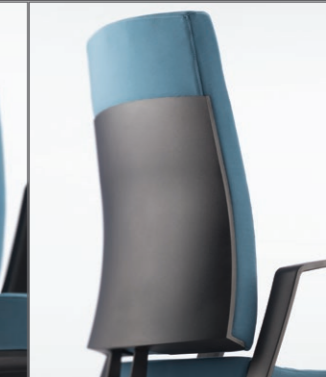
Bottom polypropylene cover which made of recycled material is secured to the seat.

Armrest



Moulded polypropylene fixed armrest in black finishing.

Backrest



High quality moulded polypropylene backrest cover in black finishing.

5 Pronged Base

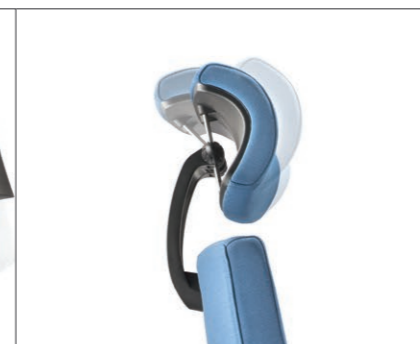


Nylon base that comes with matching 50mm nylon castors.



Seat Slider

Adjustable seat depth that accommodates different body shapes for long-hours comfort.



Adjustable Headrest

Two-pivoted headrest allows precise adjustment of the angle and height to support neck comfortably in any sitting position.



4D Adjustable Armrest

Telescope in and out, move forward and back, pivot, and adjust up and down which provides natural position that comfortably supports the wrists, forearms, shoulders and neck.

PU Moulded Backrest

Contours to fit your spine for continuous lower back support as you tilt, whilst your body comfortably tucks into the backrest.

Mechanism

Self-weight adjustment synchronized mechanism with 3 tensions level adjustable knob and multi-locking system designed to adapt your body weight automatically.



Flexible Backrest Edge

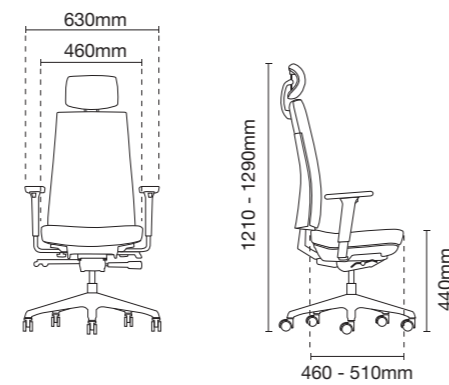
Flexes to support multiple postures for freedom of movement.



CV6110L - 14D98

Presidential high back

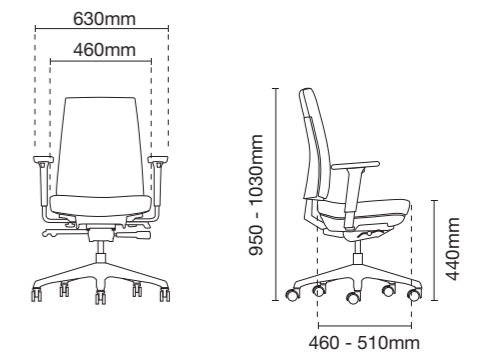
- AB14 aluminium base
- D98 4D aluminium adjustable armrest
- MH024S self-weight adjustment synchronized mechanism with seat slide (multi-locking)



CV6112L - 14D98

Executive low back

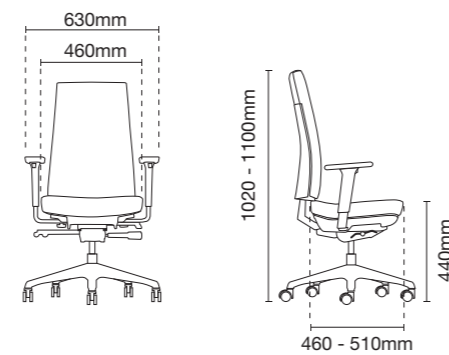
- AB14 aluminium base
- D98 4D aluminium adjustable armrest
- MH024S self-weight adjustment synchronized mechanism with seat slide (multi-locking)



CV6111L - 14D98

Presidential medium back

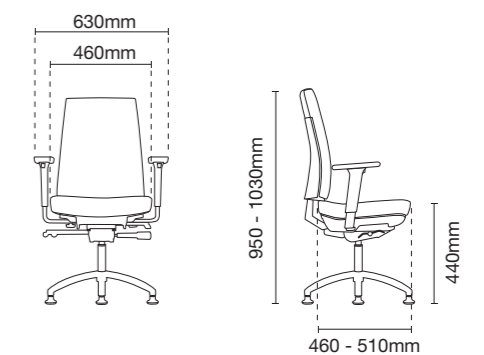
- AB14 aluminium base
- D98 4D aluminium adjustable armrest
- MH024S self-weight adjustment synchronized mechanism with seat slide (multi-locking)



CV6113L - 90CD98

Visitor / Conference chair with arm

- 90C 4 pronged aluminium base with stud
- D98 4D aluminium adjustable armrest
- MH024S self-weight adjustment synchronized mechanism with seat slide (multi-locking)

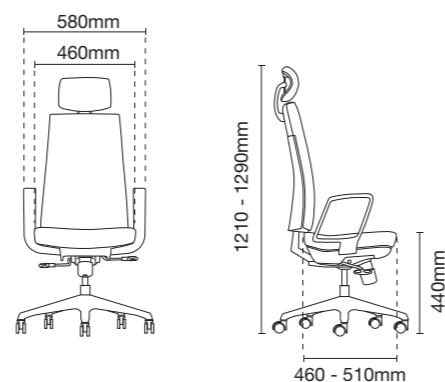




CV6110F - 24A66

Presidential high back

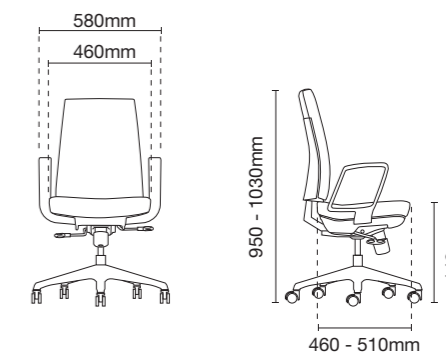
- NB24 nylon base
- A66 fixed armrest
- MH012S metal synchronized mechanism with seat slide (3 lockings)



CV6112F - 24A66

Executive low back

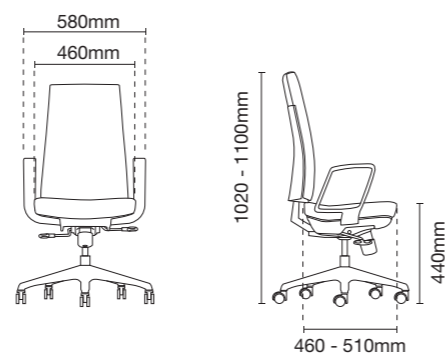
- NB24 nylon base
- A66 fixed armrest
- MH012S metal synchronized mechanism with seat slide (3 lockings)



CV6111F - 24A66

Presidential medium back

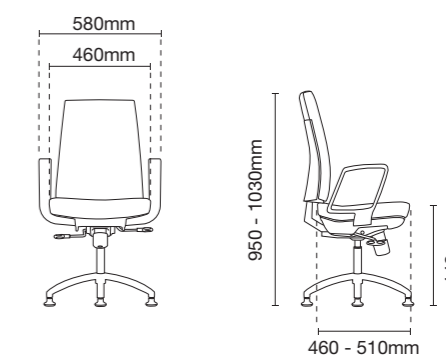
- NB24 nylon base
- A66 fixed armrest
- MH012S metal synchronized mechanism with seat slide (3 lockings)



CV6113F - 90CA66

Visitor / Conference chair with arm

- 90C 4 pronged aluminium base with stud
- A66 fixed armrest
- MH012S metal synchronized mechanism with seat slide (3 lockings)





Adjustable Headrest

The two-pivoted headrest allows precise adjustments of the angle and the height, giving comfort and support to neck and head at any seating position. (Pic 1, 2)

4D Adjustable Armrest with Polyurethane Armpad

Telescope in and out, move forward and back, pivot, and adjust up and down which provides natural position that comfortably supports the wrists, forearms, shoulders and neck. (Pic 3, 4)

Fixed Armrest

Moulded polypropylene armrest in black finish. (Pic 5)

5 Pronged Base

5 pronged base in either nylon or die-cast polished aluminium finish, generates by highly sophisticated ambience to provide strong stability. (Pic 6, 7)

4 Pronged Base

4 pronged base in die-cast polished aluminium finish, generates by highly sophisticated ambience to provide strong stability. (Pic 8)

Polyurethane Castors or Stud

Both the 50mm polyurethane dual-wheel castors and studs are designed for smooth gliding and also reduce floor scratches. (Pic 9, 10)

Adjustable Seat Depth / Slider Mechanism

Using a simple lever under the seat, user can easily adjust the depth of the seating to accommodate his sitting preference and comfort. (Pic 11, 15)

Self-Weight Tilting Mechanism

Self-weight adjustment synchronized mechanism with 3 tensions level adjustable knob and multi-locking system designed to adapt your body weight automatically. (Pic 12, 13, 14)

Tilting Mechanism

Metal synchronized mechanism with seat slide and 3 lockings system that come with weight adjustable tension knob (Pic 16, 17, 18)

Height Adjustable Pneumatic Cylinder

Imported heavy duty pneumatic cylinder designed with safety and durability features, allows for height adjustment of the chair to suit each users physique. (Pic 19)

Polyurethane Moulded Foam

High density polyurethane moulded foam come with fire retardant feature, gives the seat flexibility to conform user seating posture, provides great support and best comfort even for long seating hours. The black finish seat cover below is designed for greater protection to the foam, quality upholstery and user safety. (Pic 20)

Backrest Cover With Polyurethane Moulded Foam

High quality moulded polypropylene backrest cover in black finishing that come with polyurethane moulded foam for the backrest comfort. (Pic 21)